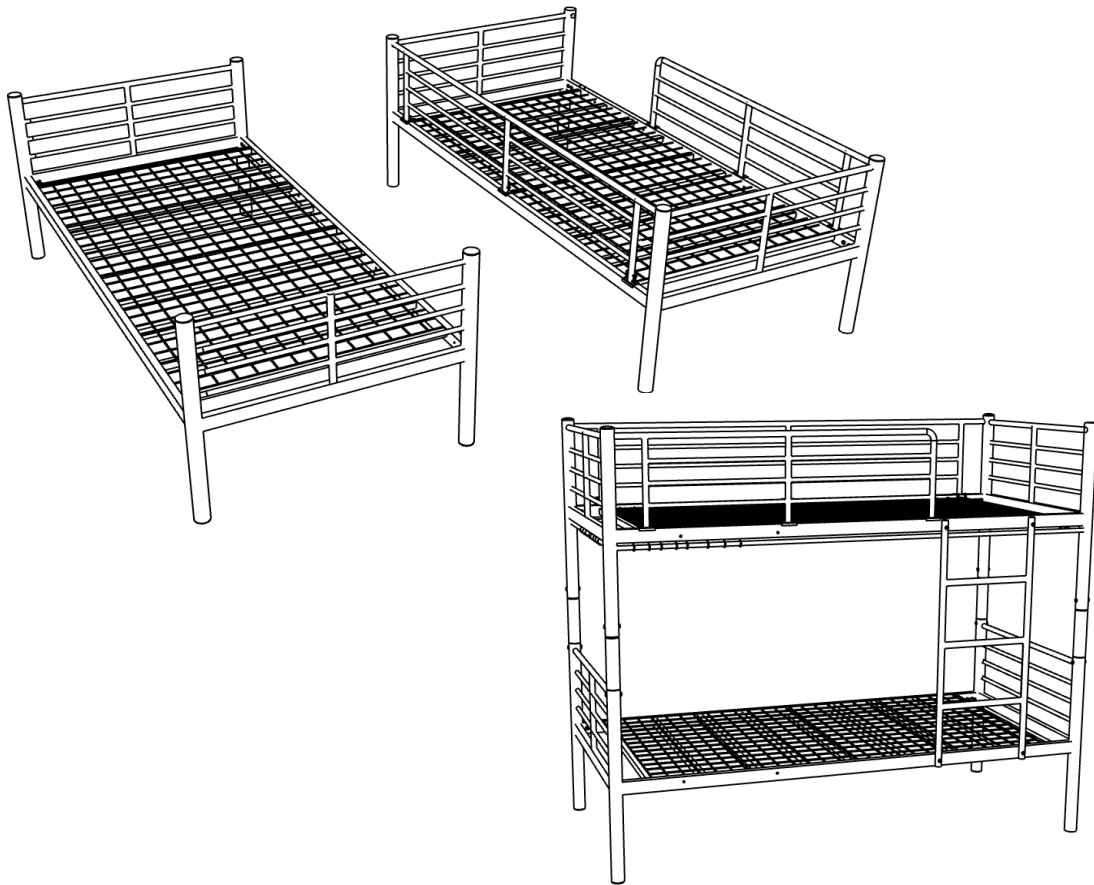


BD9068A STACKA BUNK

Assembly Instruction



Two People are required to safely assemble the Stacka Bunk

ASSEMBLY TIPS:

1. Remove hardware from box and identify all parts.
2. Check to see that all hardware and parts are present prior to start of assembly.
3. Read all instructions before starting assembly.
4. Follow instructions in sequence to assure fast & easy assembly.

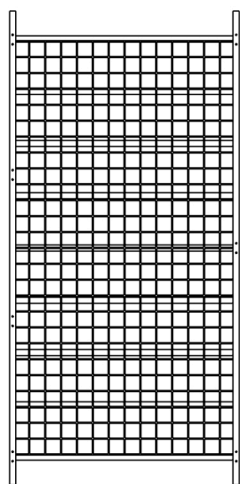
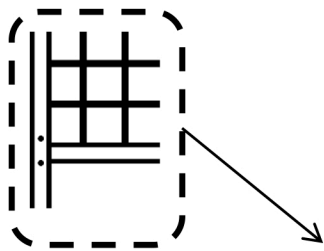
Warning:

Do not attempt to repair or modify parts that are broken or defective. - Please contact VENDELLA immediately.

① 1x

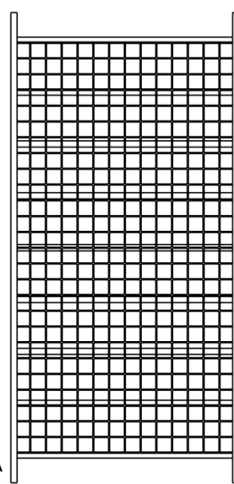
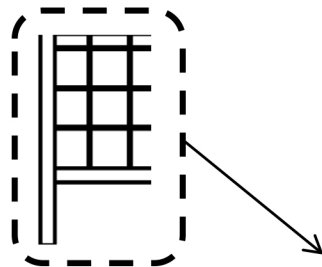
Top Base

(has side rail mounting holes)

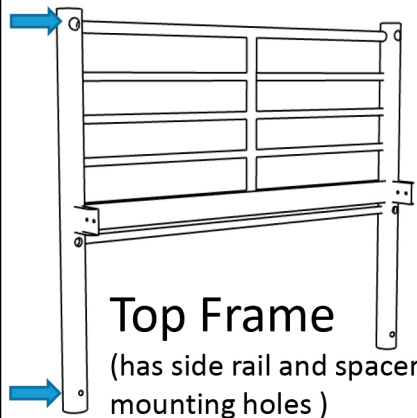


② 1x

Bottom Base



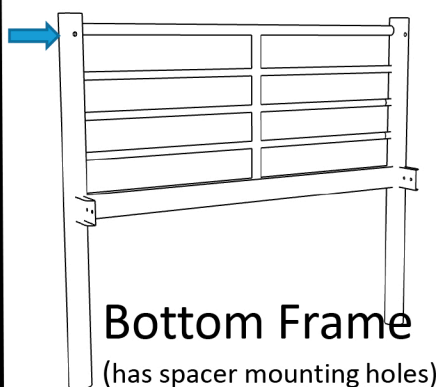
③ 2x



Top Frame

(has side rail and spacer mounting holes)

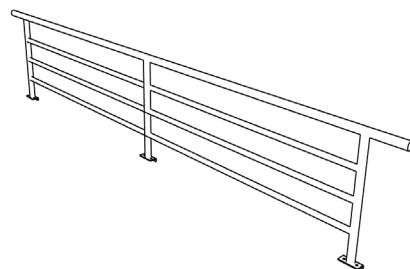
④ 2x



Bottom Frame

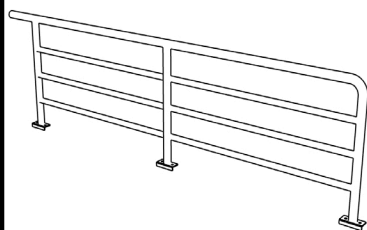
(has spacer mounting holes)

⑤ 1x



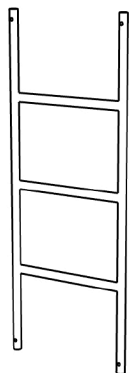
Side Rail B

⑥ 1x



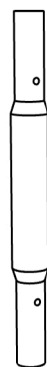
Side Rail A

⑦ 1x



Ladder

⑧ 4x



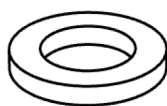
Spacer

⑨ 2x

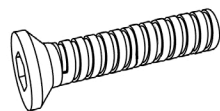
Curtain rails (only available when curtain set is purchased.)



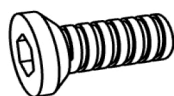
28x
Washer A



4x
Bolt B
(M8x40)



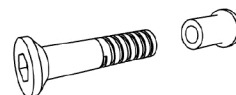
28x
Bolt C
(M8x16)



16x
Frame Cap

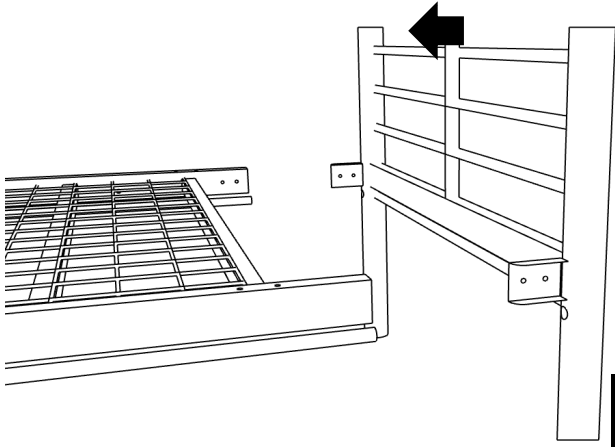


8x
Bolt/Nut

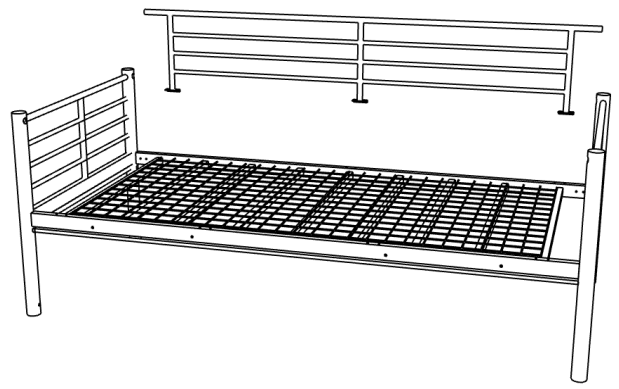


Connect **#1 Top Base** to **#3 Top Frame** by sliding onto mounts

If **#9 Curtain Rail Kit** has been purchased insert into the location hole on **#3 Top Frame**



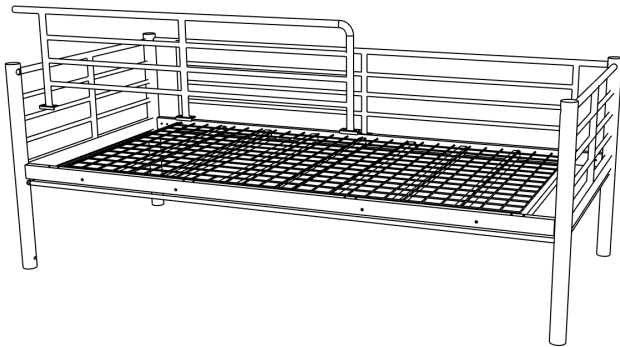
1



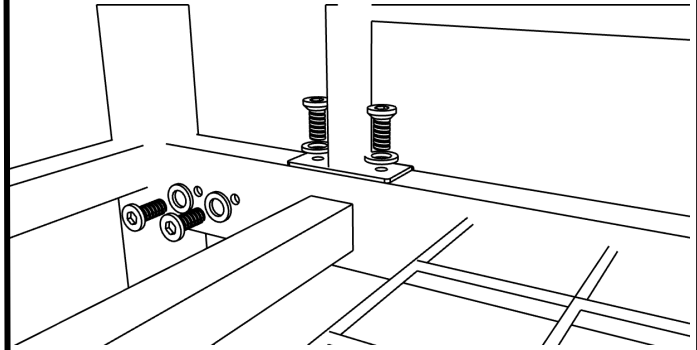
Insert **#5 Side Rail B** into location hole on **#3 Top Frame**

2

Insert **#6 Side Rail A** into location hole on **#3 Top Frame** – this can be mounted left or right to suit your room layout



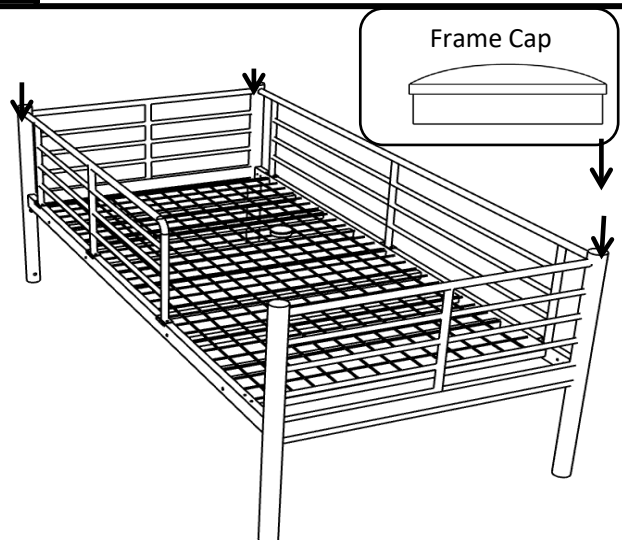
3



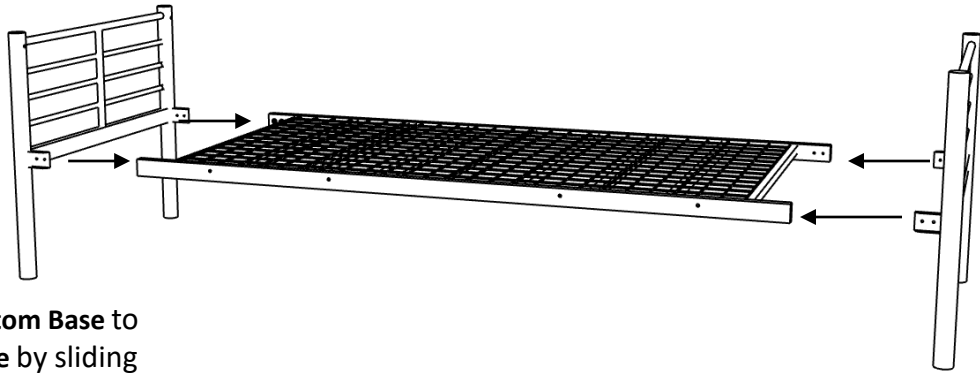
Use **Bolt C** and **Washer A** to secure Base and Rails.
DO NOT FULLY TIGHTEN BOLTS AT THIS STAGE

4

Using a rubber mallet or similar and gently tap the plastic **Frame Caps** into the **top** of the **#3 Top Frame** posts as indicated.

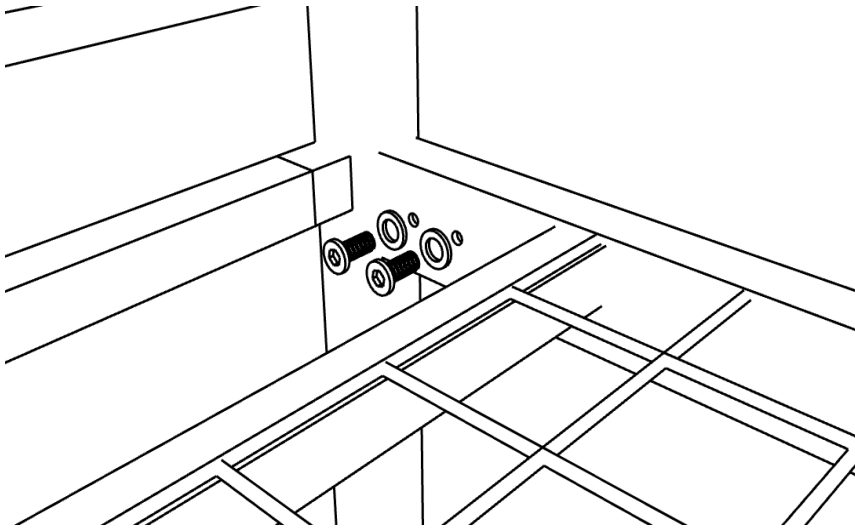


5



Connect **#2 Bottom Base** to **#4 Bottom Frame** by sliding onto mounts

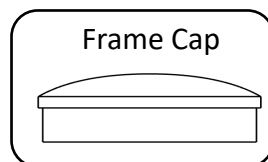
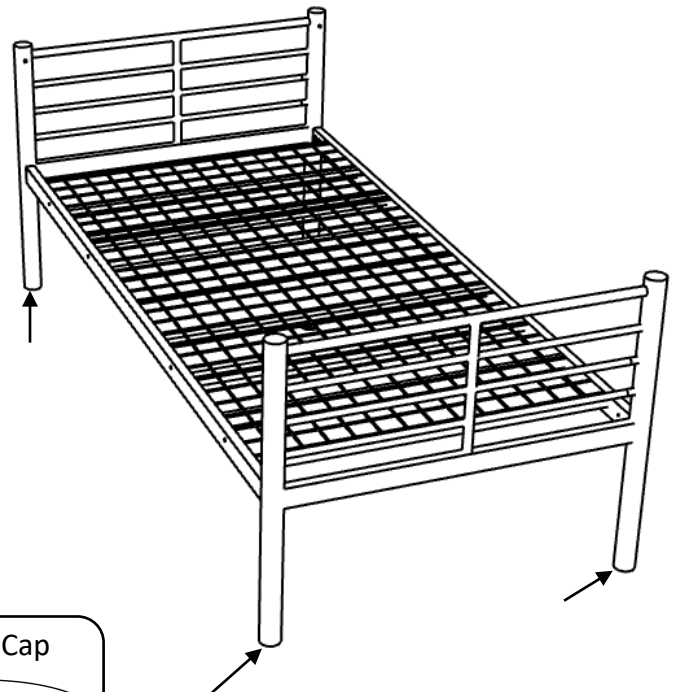
6



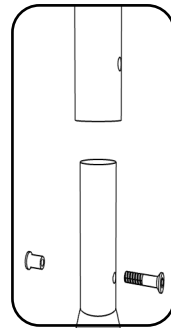
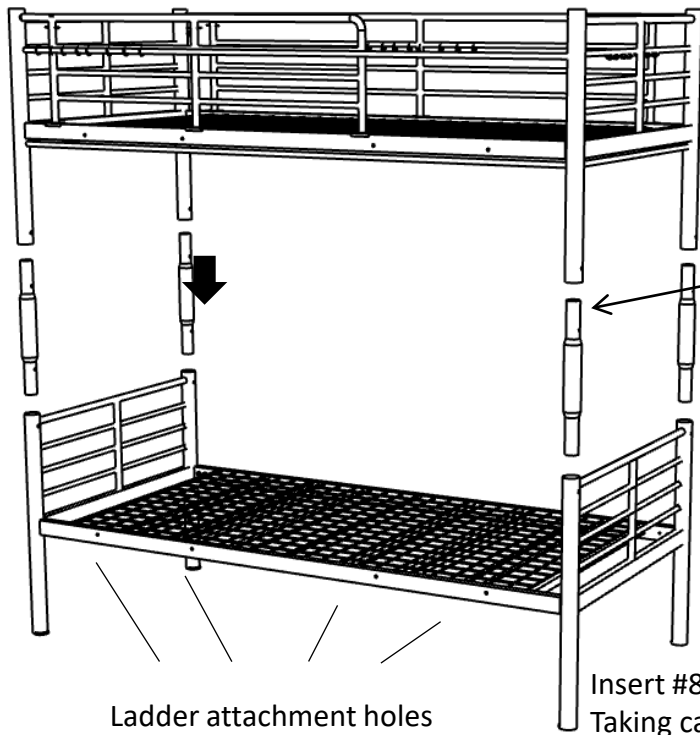
Use **Bolt C** and **Washer A** to secure **#2 Bottom Base** to **#4 Bottom Frame** - **DO NOT FULLY TIGHTEN BOLTS AT THIS STAGE** as per **4**

7

Using a rubber mallet or similar gently tap the plastic **Frame Caps** into the base of the **#4 Bottom Frame** posts as indicated

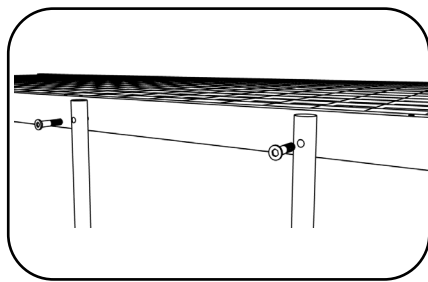


8



Insert #8 Spacer x 4 into #4 Bottom Frame posts. Taking care to ensure #2 Bottom Base ladder location holes are the same side as #1 Top Base lift #1 Top Base onto #8 Spacer and locate via post holes Use Bolt/Nut x8 to secure both frames together

9



Secure ladder to #1 Top Base & #2 Bottom Base using Bolt B x4

10

Make sure all bolts
are fully tightened.
Your Stacka Bunk is
now ready for use!

